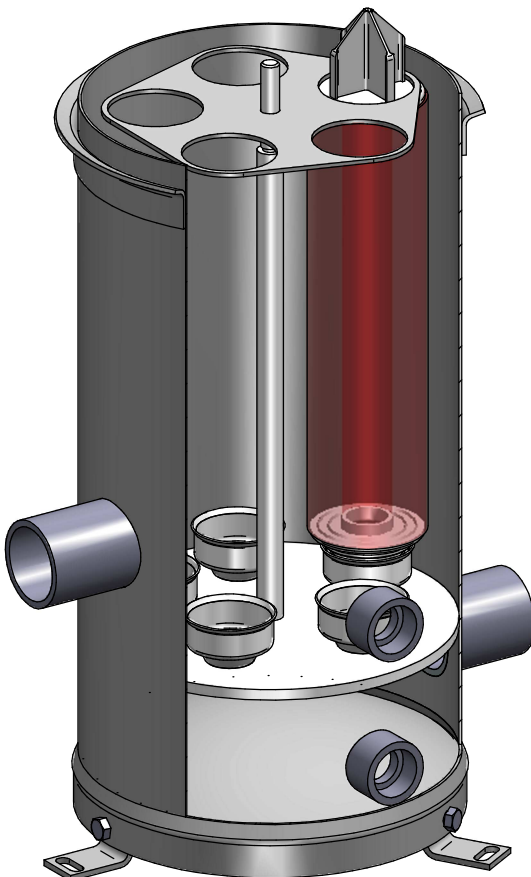
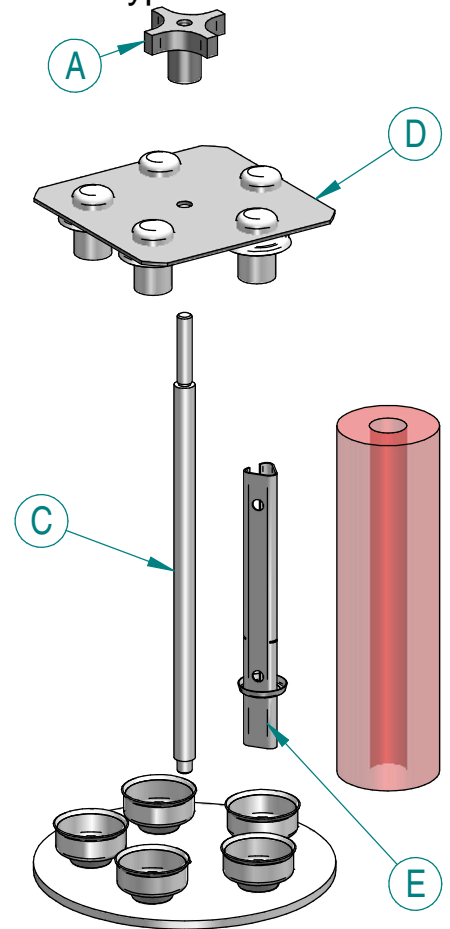
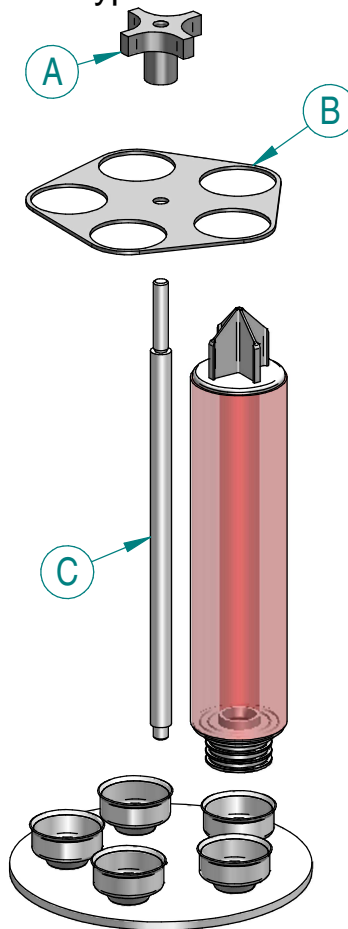
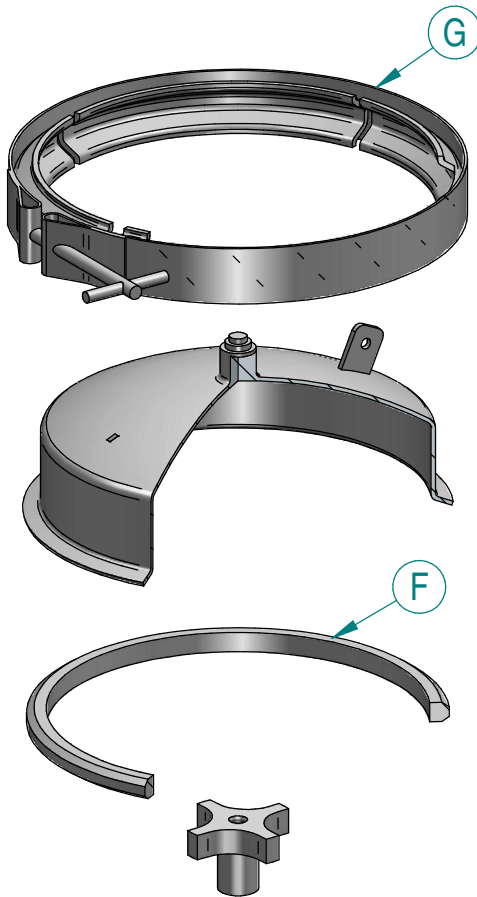


Type SOE

Type DOE



DS nut assembly +
Compression plate type **SOE** +
Tie rod assembly

Item	Quantity per kit	P/N		
A	1	Height	1	TBD
			2	TBD
			3	TBD
			4	TBD
B	1			
C	1			

DS nut assembly +
Compression plate type **DOE** +
Tie rod assembly

Item	Quantity per kit	P/N		
A	1	Height	1	TBD
			2	TBD
			3	TBD
			4	TBD
D	1			

	Item	Quantity per kit	P/N		
Compression plate type SOE	B	1	FD000135109		
Cartridge guide post and cup washer	E	5	Height	1	FD000072369
				2	FD000072377
				3	FD000072385
				4	FD000072393
Clamp	G	1	FD000119921		

Gasket (Ø203,2xØ11)

Item	Material	Quantity per kit	P/N
F	NB (Nitrile NBR)	2	FD000075164
	EP (Ethylène/ropylène EPDM)	5	FD000075180
	FP (Fluorocarbone FPM)	1	FD000075198
	MV (Silicone MVQ)	1	FD000075206
	MVQ/FEP (Silicone enrobé FEP)	2	FD000068888
	FPM/FEP (VITON enrobé FEP)	1	FD000075172