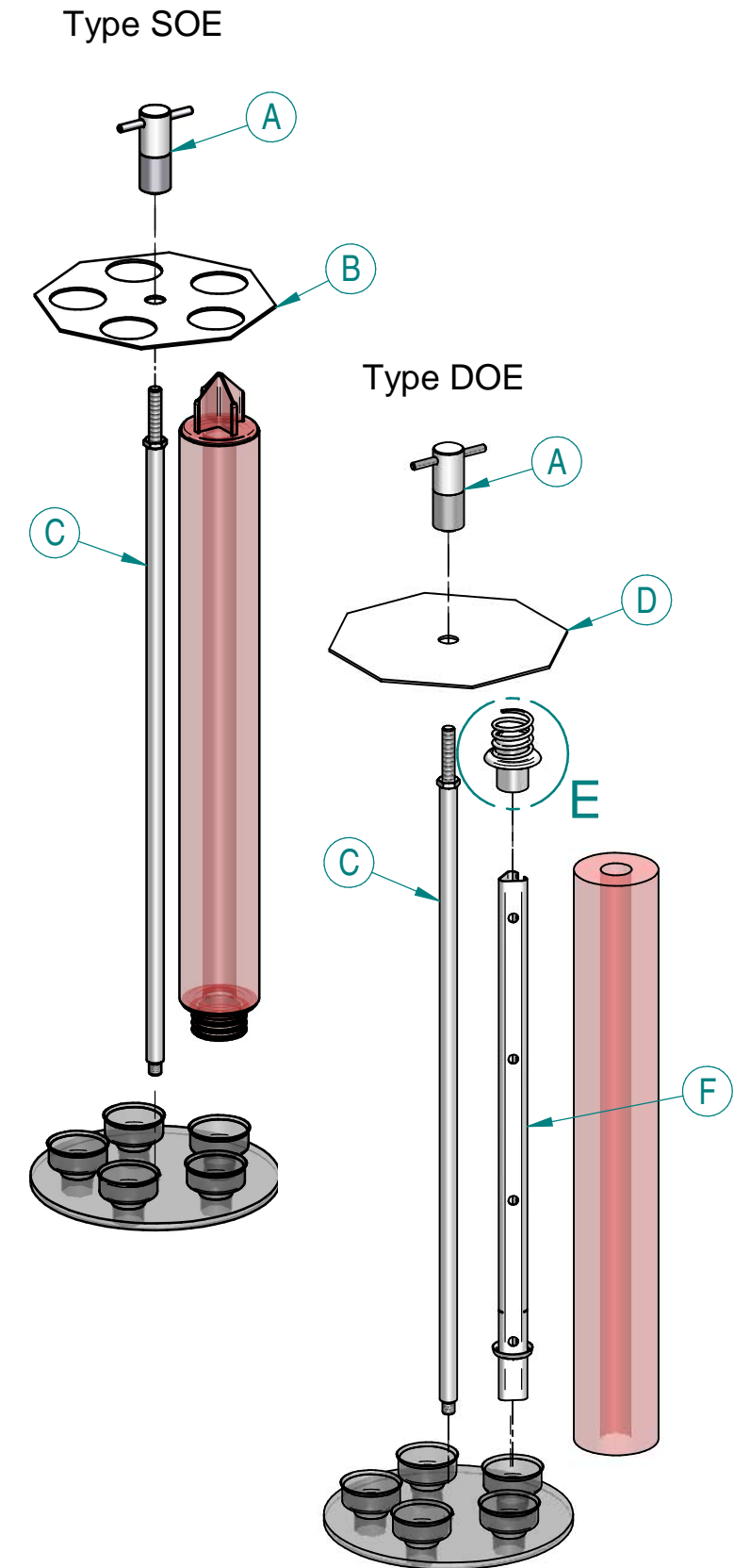
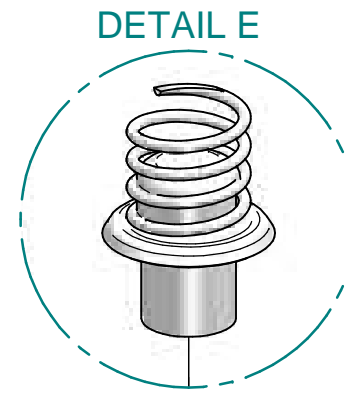


DC nut assembly + Compression plate type SOE + Tie rod assembly				
Numbers of cartridges	Item	Quantity per kit	P/N	
03	A	1	Height	1 FD000134615
	B	1	Height	2 FD000134623
	C	1	Height	3 FD000134631
	C	1	Height	4 FD000134649
04	A	1	Height	1 FD000134656
	B	1	Height	2 FD000134664
	C	1	Height	3 FD000134672
	C	1	Height	4 FD000134680
05	A	1	Height	1 FD000134698
	B	1	Height	2 FD000134706
	C	1	Height	3 FD000134714
	C	1	Height	4 FD000134722
08	A	2	Height	1 FD000134730
	B	1	Height	2 FD000134748
	C	2	Height	3 FD000134755
	C	2	Height	4 FD000134763
12	A	3	Height	1 FD000134771
	B	1	Height	2 FD000134789
	C	3	Height	3 FD000134797
	C	3	Height	4 FD000134805
22	A	3	Height	1 FD000134813
	B	1	Height	2 FD000134821
	C	3	Height	3 FD000134839
	C	3	Height	4 FD000134847
27	A	3	Height	1 FD000134854
	B	1	Height	2 FD000134862
	C	3	Height	3 FD000134870
	C	3	Height	4 FD000134888

DC nut assembly + Compression plate type DOE + Tie rod assembly				
Numbers of cartridges	Item	Quantity per kit	P/N	
03	A	1	Height	1 FD000134946
	C	1	Height	2 FD000134953
	D	1	Height	3 FD000134961
	D	1	Height	4 FD000134979
08	A	2	Height	1 FD000134987
	C	2	Height	2 FD000134995
	D	2	Height	3 FD000135000
	D	1	Height	4 FD000135018
12	A	3	Height	1 FD000135026
	C	3	Height	2 FD000135034
	D	3	Height	3 FD000135042
	D	1	Height	4 FD000135059
22	A	3	Height	1 FD000135067
	C	3	Height	2 FD000135075
	D	3	Height	3 FD000135083
	D	1	Height	4 FD000135091



		Item	Quantity per kit	P/N	
Top seal cup + spring assembly		E	5	FD000000550	
Cartridge guide post and cup washer		F	5	Height	1 FD000072369
					2 FD000072377
					3 FD000072385
					4 FD000072393
Clamp	Number of cartridges	H	1	FD000119921	
				03	FD000122610
				04	FD000122628
				05	FD000122628
				08	FD000122628
	12	FD000074175			
	22	FD000074175			
	27	FD000074175			

Gasket				
Numbers of cartridges	Item	Material	Quantity per kit	P/N
03 04 05 (Ø203,2xØ11)	G	NB (Nitrile NBR)	2	FD000075164
		EP (Ethyène/ropylène EPDM)	5	FD000075180
		FP (Fluorocarbone FPM)	1	FD000075198
		MV (Silicone MVQ)	1	FD000075206
		MVQ/FEP (Silicone enrobé FEP)	2	FD000068888
		FPM/FEP (VITON enrobé FEP)	1	FD000075172
08 (Ø266xØ11)	G	NB (Nitrile NBR)	2	FD000069043
		EP (Ethyène/ropylène EPDM)	2	FD000096616
		FP (Fluorocarbone FPM)	1	FD000102794
		MV (Silicone MVQ)	1	FD000119863
		FPM/FEP (VITON enrobé FEP)	1	FD000106068
		NB (Nitrile NBR)	2	FD000075669
12 (Ø317xØ11)	G	EP (Ethyène/ropylène EPDM)	2	FD000075677
		FP (Fluorocarbone FPM)	1	FD000071981
		MV (Silicone MVQ)	1	FD000075693
		FPM/FEP (VITON enrobé FEP)	1	FD000106043
		NB (Nitrile NBR)	2	FD000075784
		EP (Ethyène/ropylène EPDM)	1	FD000072674
22 27 (Ø443xØ16)	G	FP (Fluorocarbone FPM)	1	FD000072690
		MV (Silicone MVQ)	1	FD000072682