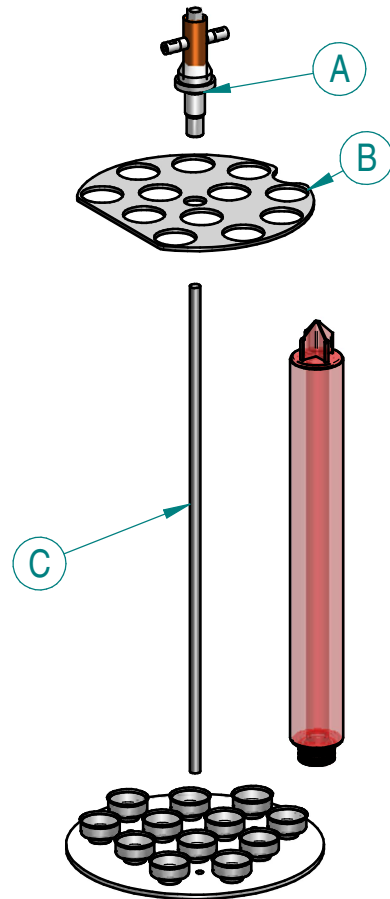
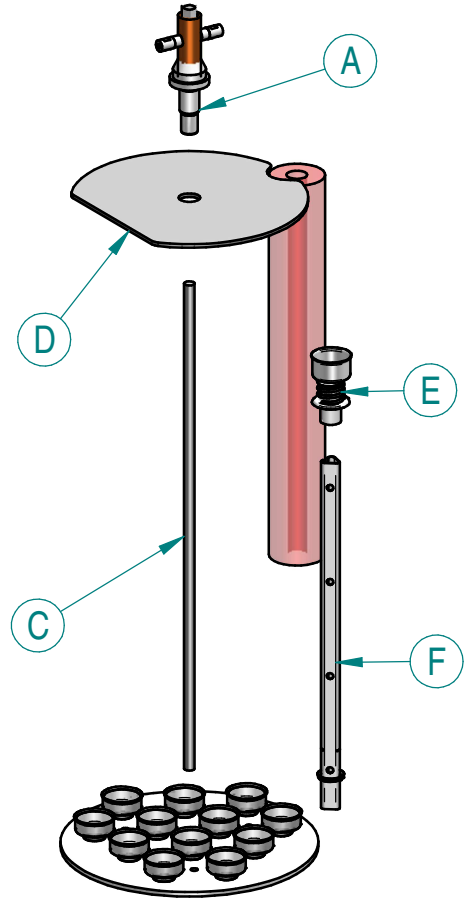


### Type SOE



### Type DOE



DS nut assembly + Compression plate type <b>SOE</b> + Tie rod assembly					
Item	Quantity per kit	P/N			
A B C C	3 1 3 3	Height	1	TBD	
			2	TBD	
			3	TBD	
			4	TBD	

DS nut assembly + Compression plate type <b>DOE</b> + Tie rod assembly					
Item	Quantity per kit	P/N			
A C D	3 3 1	Height	1	TBD	
			2	TBD	
			3	TBD	
			4	TBD	

		Item	Quantity per kit	P/N		
Top seal cup + spring assembly		E	5	FD000072435		
Cartridge guide post and cup washer		F	5	Height	1	FD000072369
					2	FD000072377
					3	FD000072385
					4	FD000072393
Kit bolt		H	1	TBD		

Gasket (Ø314xØ11)			
Item	Material	Quantity per kit	P/N
G	NB (Nitrile NBR)	2	FD000135182
	EP (Éthylène/ropylène EPDM)	2	FD000135190
	FP (Fluorocarbone FPM)	1	FD000135208
	FPM/FEP (VITON enrobé FEP)	1	FD000135216