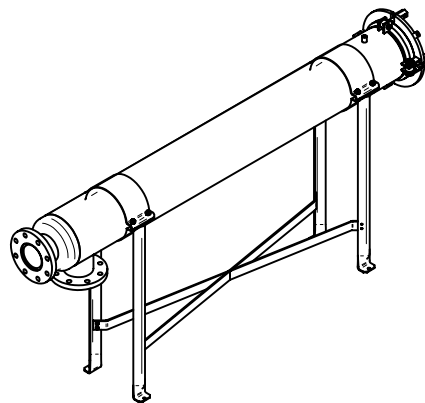


- CONSTRUCTION CODE: EN13445 Groupe 3
- OPERATING CONDITION: -1 to 10 Bar at 90°C
- DESIGN PRESSURE: -1 Bar & 10 Bar
- DESIGN TEMPERATURE: 0 °C & + 90 °C
- TEST PRESSURE: 14.8 Bar at room temperature.
- CONNECTION
- N1 INLET: BP100 (PN16 DN100 01A) 0°
- N2 OUTLET: BP100 (PN16 DN100 01A)
- N3 VENT: Rp 1/4" With Plug
- N4 VENT: Rp 1/4" With Plug
- SURFACE FINISH: F0



506667 -02	FILTER 01HFB2H6NBF0BPDN	1930
506667 -01	FILTER 01HFB1H6NBF0BPDN	1420
Reference	Designation	"A"

**CUNO FILTRATION S.A.S**  
F-62730 LES ATTAQUES



**HFB Single Element  
Horizontal Vessel  
General Arrangement**

UNLESS OTHERWISE SPECIFIED:  
- DIMENSIONS ARE IN mm

- TOLERANCES:  
DIMENSIONS +/- 3 mm  
ANGLES +/- 5 °  
MACH. SURFACE Ra -

- DIFFUSION CONTROLLEE

0	20/03/2008	FIRST RELEASE	MARQUANT J	<b>506667</b>
Rev	Date	Revision	Drawn by	

This document is confidential and property of CUNO and shall not be duplicated or passed to third parties without CUNO's written permission